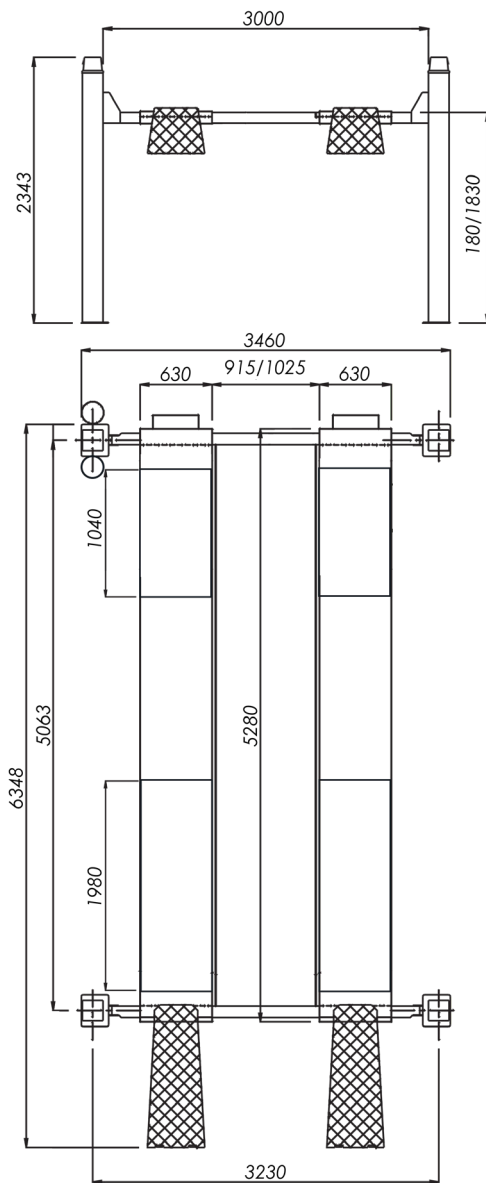




4-POST ALIGNMENT LIFT L4W/QU552CPG

- 5.0t Lifting capacity
- 5.2m Platform length
- 1.85m Max. lifting height
- Recess for front turn plates
- Rear side slip plate, lockable, covering the rear section of the lift



Accessories

Jacking beam
2.6t - JBA/6236200 + 6227600
Turn plate kit
LOM/AY02100110

Specifications

Power supply: 400V 3ph/50Hz/16A
Motor power: 2.2kW
Vehicle types: Car, Light Commercial Vehicle
Lifting capacity: 5000kg
Lifting/lowering time: 60/55 secs
Installation type: Surface-mount
Concrete floor min. thickness: 200mm
Overall height: 2343mm
Net weight: 1700kg

Muller Automotive UK Ltd

Unit 15 Hearder Court,
Beechwood Way,
Plymouth, PL7 5HH
01752 929 929

Sales@MullerAutomotive.co.uk

E&OE. This document's content and data (text and images) are not contractual and subject to change, developments, or improvements, particularly technical ones.