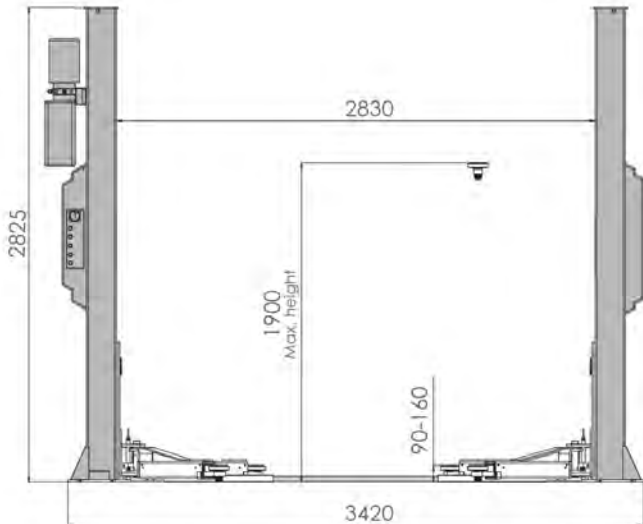




2-POST LIFT (SEMI-BASE)
L2M/AZ42CH

- 4.2t Lifting capacity
- 90mm Min. pad height
- 1.9m Max. lifting height
- 2.5m Drive-through width
- Asymmetric lifting arms
- Electro-hydraulic operation
- APS* technology allows precise lifting/lowering of a vehicle

*Accurate Positioning System



Accessories

Lifting pad extensions

75mm - EV.612005002

Kit for thinner concrete floors (130-199mm)

CHASSI30

Specifications

Front arm range: 615-1150mm

Rear arm range: 890-1390mm

Power supply: 400V 3ph/50Hz/20A

Motor power: 3.5kW

Vehicle types: Car, Light Commercial Vehicle

Lifting capacity: 4200kg

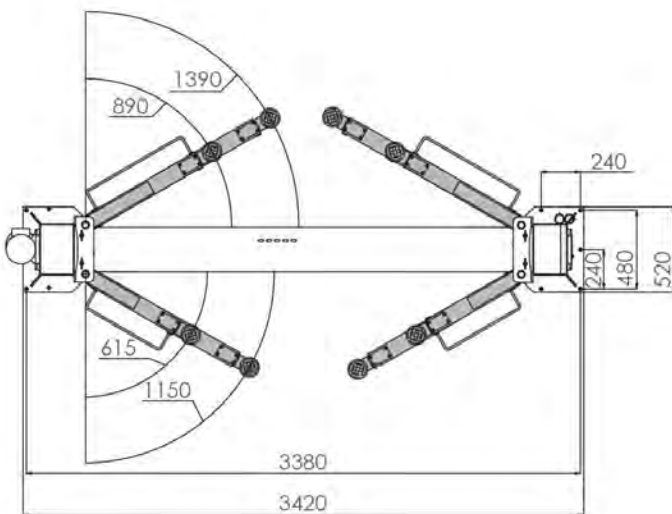
Lifting/lowering time: 45/55 secs

Installation type: Standard base frame

Concrete floor min. thickness: 200mm

Overall height: 2825mm

Net weight: 660kg



Muller Automotive UK Ltd

Unit 15 Hearder Court,

Beechwood Way,

Plymouth, PL7 5HH

01752 929 929

Sales@MullerAutomotive.co.uk

E&OE. This document's content and data (text and images) are not contractual and subject to change, developments, or improvements, particularly technical ones.