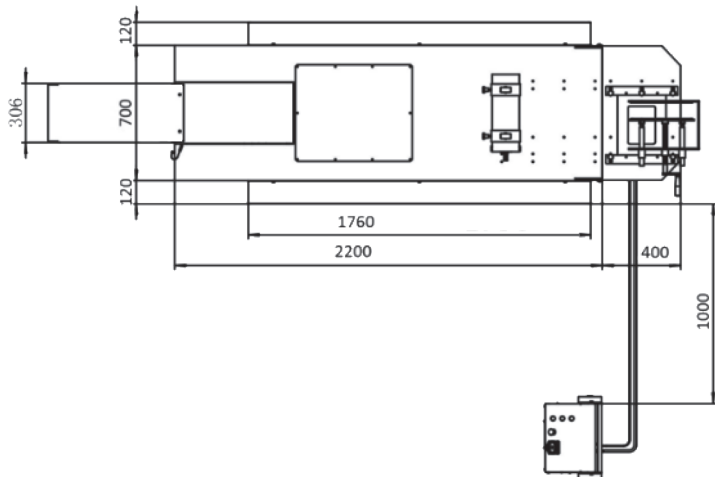
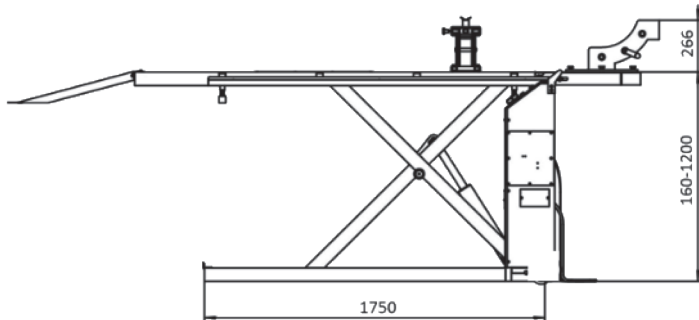




- 1000kg Lifting capacity
- 2.2m Platform length
- 1.2m Max. lifting height
- 160mm Lowered height
- Pneumatic wheel clamp
- Long access ramp for easy loading of motorcycles and scooters



## Specifications

Power supply: 230V 50Hz  
 Motor power: 2.2kW 20A  
 Air supply: 6-8 bar  
 Vehicle types: Motorcycle, Moped, Scooter  
 Lifting capacity: 1000kg  
 Lifting/lowering time: 30/30 secs  
 Installation type: Surface-mount  
 Concrete floor min. thickness: 160mm  
 Overall height: 1200mm  
 Net weight: 300kg

### Muller Automotive UK Ltd

Unit 15 Hearder Court,  
 Beechwood Way,  
 Plymouth, PL7 5HH  
 01752 929 929

Sales@MullerAutomotive.co.uk

E&OE. This document's content and data (text and images) are not contractual and subject to change, developments, or improvements, particularly technical ones.