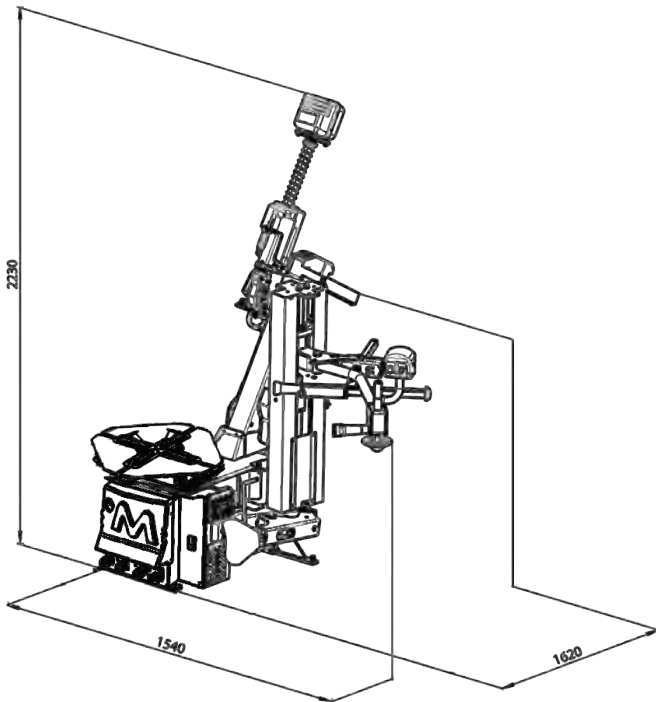




## 27" TYRE CHANGER WTM/MDP627AL

- 10" - 27" Clamping range
- Leverless mounting tool ideal for RFT, UHP, and low-profile tyres
- Square turntable with dual cylinders
- Assist arms to reduce operator effort
- Synchronised locking of the horizontal and vertical arms
- Pneumatic tilting column



### Accessories

#### Included as standard

- 1 x leverless head protection set
- 1 x jaw guard set
- 1 x tyre lever

### Specifications

- Inside clamping capacity: 12" - 27"
- Outside clamping capacity: 10" - 24"
- Maximum tyre width: 430mm (16.9")
- Maximum tyre diameter: 1160mm (46")
- Bead Breaker force: 2.5t
- Operating pressure: 8 - 10bar
- Power supply: 400V 3ph
- Motor power: 0.9kW
- Rotation speed: 0 - 16rpm
- Noise level: <70 +/- 3dB (A)
- Net weight: 285kg

### Muller Automotive UK Ltd

Unit 15 Hearder Court,  
Beechwood Way,  
Plymouth, PL7 5HH  
01752 929 929

Sales@MullerAutomotive.co.uk

*E&OE. This document's content and data (text and images) are not contractual and subject to change, developments, or improvements, particularly technical ones.*