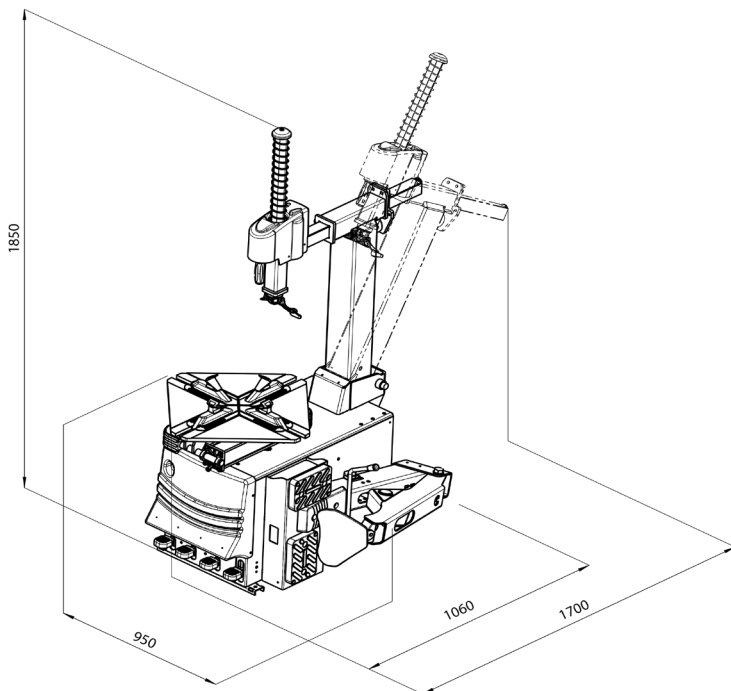




## 25" TYRE CHANGER WTM/MDP425AV2

- 10" - 25" Clamping range
- Powerful twin speed motor
- Square turntable with dual cylinders
- Pneumatic tilting column
- Assist arms to reduce operator effort
- Synchronised locking of the horizontal and vertical arms



### Accessories

Included as standard

- 1 x jaw guard set
- 1 x rear and front head protection set
- 1 x tyre lever

### Specifications

Inside clamping capacity: 12" - 25"  
Outside clamping capacity: 10" - 22"  
Maximum tyre width: 305mm (12")  
Maximum tyre diameter: 1000mm (39")  
Bead Breaker force: 2.5t  
Operating pressure: 8 - 10bar  
Power supply: 400V 3ph  
Motor power: 0.9kW  
Rotation speed: 7/14rpm  
Noise level: <70 +/- 3dB (A)  
Net weight: 270kg

### Muller Automotive UK Ltd

Unit 15 Hearder Court,  
Beechwood Way,  
Plymouth, PL7 5HH  
01752 929 929

Sales@MullerAutomotive.co.uk

E&OE. This document's content and data (text and images) are not contractual and subject to change, developments, or improvements, particularly technical ones.