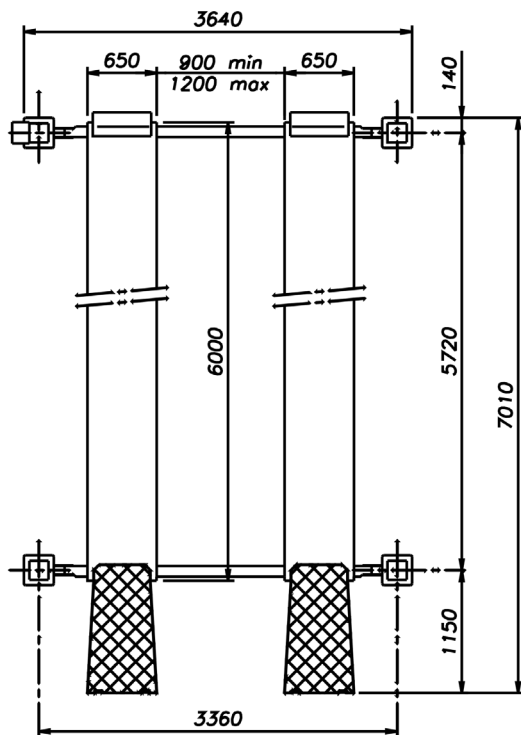
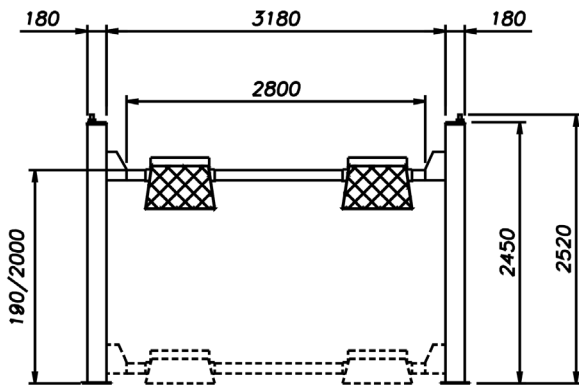




## 4-POST SERVICE LIFT L4W/460

- 6.0t Lifting capacity
- 6.0m Platform length
- 2.0m Max. lifting height
- Ideal for servicing motorhomes
- Electro-hydraulic operation
- Recessed installation option



### Accessories

Jacking beam

4.0t - JBA/6338000 + 6227600

### Specifications

Power supply: 400V 3ph/50Hz (single phase optional)

Motor power: 3.0kW

Vehicle types: Van, Light Commercial Vehicle

Lifting capacity: 6000kg

Lifting/lowering time: 55/55 secs

Installation type: Surface-mount or recess

Concrete floor min. thickness: 160mm

Overall height: 2520mm

Net weight: 1690kg

### Muller Automotive UK Ltd

Unit 15 Hearder Court,  
Beechwood Way,  
Plymouth, PL7 5HH  
01752 929 929

Sales@MullerAutomotive.co.uk

E&OE. This document's content and data (text and images) are not contractual and subject to change, developments, or improvements, particularly technical ones.