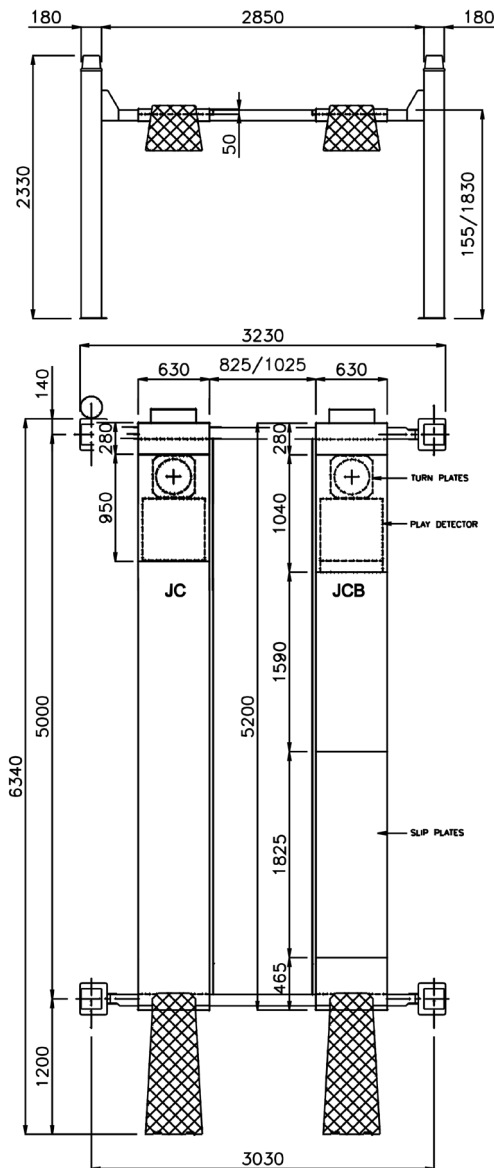




## 4-POST ATL/OPLT LIFT L4W/450JC(B)

- 4.0t Lifting capacity
- 5.2m Platform length
- 1.8m Max. lifting height
- Hydraulic play detectors
- Recessed turn plates
- Recessed installation option
- Choice of platform options for MOT testing or MOT and wheel aligning



### Versions

#### L4W/450JC

Play detectors & radius plates for ATL MOT testing

#### L4W/450JCB

Dual revenue lift for ATL MOT testing & alignment

### Accessories

#### Jacking beam

2.6t - JBA/6236200 + 6227600

### Specifications

Power supply: 400V 3ph/50Hz (single phase optional)

Motor power: 3.0kW

Vehicle types: Car, Light Commercial Vehicle

Lifting capacity: 4000kg

Lifting/lowering time: 50/45 secs

Installation type: Surface-mount or recess

Concrete floor min. thickness: 160mm

Overall height: 2330mm

Net weight: 1150kg

### Muller Automotive UK Ltd

Unit 15 Hearder Court,  
Beechwood Way,  
Plymouth, PL7 5HH  
01752 929 929

Sales@MullerAutomotive.co.uk

E&OE. This document's content and data (text and images) are not contractual and subject to change, developments, or improvements, particularly technical ones.