

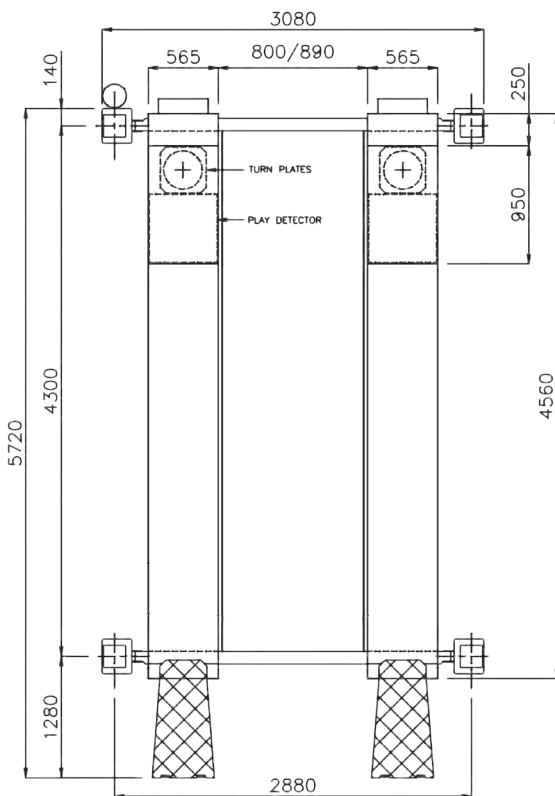
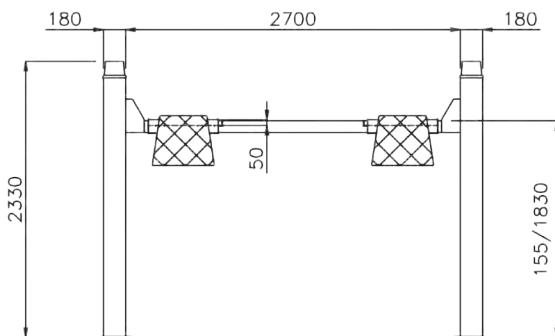


4-POST ATL/OPLT LIFT L4W/443JC

- 4.0t Lifting capacity
- 4.5m Platform length
- 1.8m Max. lifting height
- Hydraulic play detectors
- Recessed turn plates
- Recessed installation option



Shown with optional jacking beam



Accessories

Jacking beam

2.0t - JBA/6225200 + 6227600

Specifications

Power supply: 400V 3ph/50Hz (single phase optional)

Motor power: 3.0kW

Vehicle types: Car, Light Commercial Vehicle

Lifting capacity: 4000kg

Lifting/lowering time: 50/45 secs

Installation type: Surface-mount or recess

Concrete floor min. thickness: 160mm

Overall height: 2340mm

Net weight: 910kg

Muller Automotive UK Ltd

Unit 15 Hearder Court,
Beechwood Way,
Plymouth, PL7 5HH
01752 929 929

Sales@MullerAutomotive.co.uk

E&OE. This document's content and data (text and images) are not contractual and subject to change, developments, or improvements, particularly technical ones.